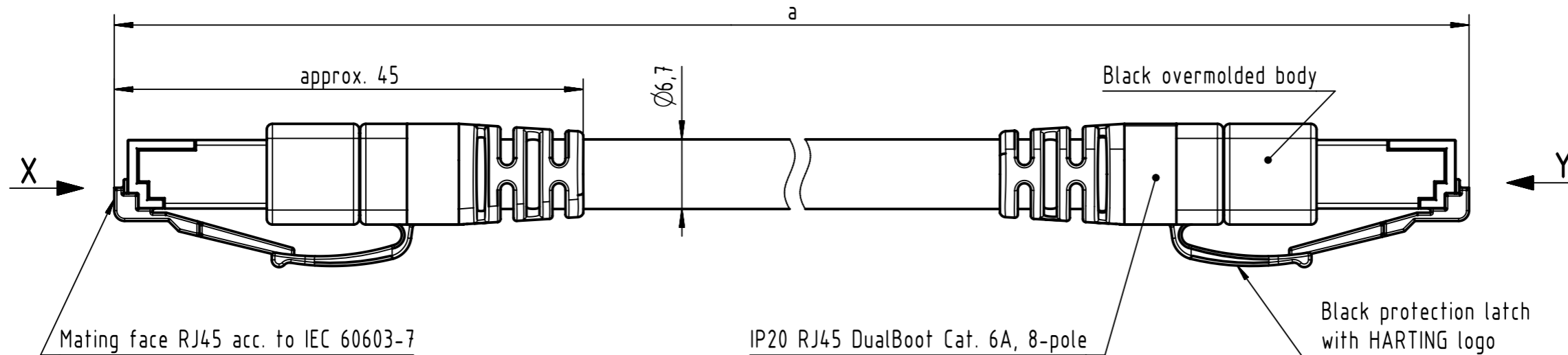


Connector Location A

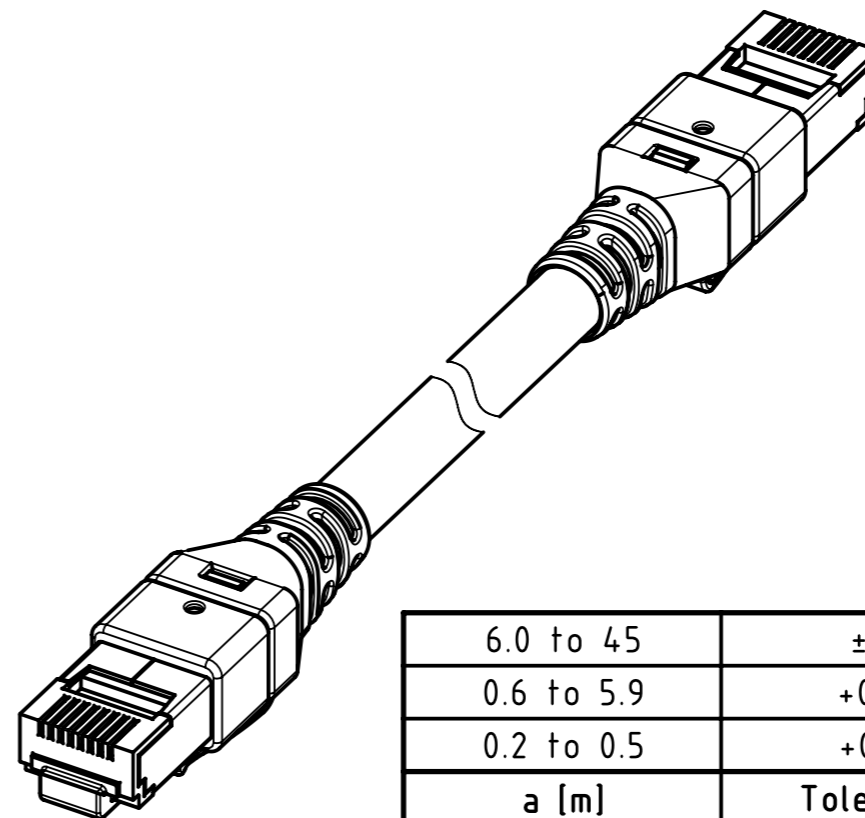
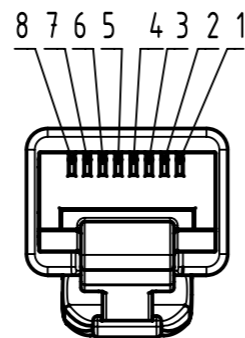
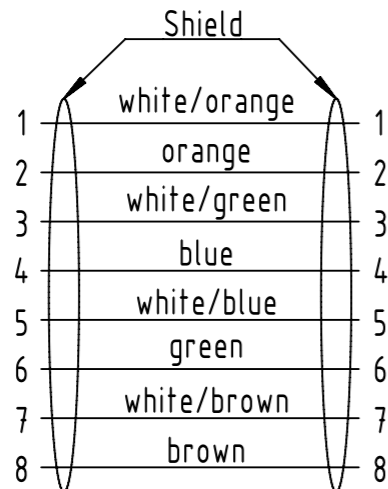
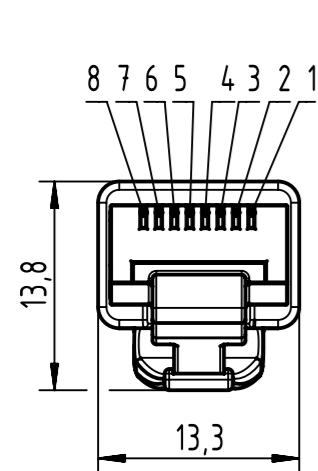
Connector Location B



X male

Loading Plan acc. to TIA/EIA 568B

Y male



6.0 to 45	±1%
0.6 to 5.9	+0.04
0.2 to 0.5	+0.02
a [m]	Tolerance

length in "1m" step	45	XXX=450
	44	XXX=440
	12	XXX=120
	11	XXX=110
length in "0.1m" step	10	XXX=100
	9.9	XXX=099
	9.8	XXX=098
	0.5	XXX=005
	0.4	XXX=004
	0.3	XXX=003
	0.2	XXX=002
Step	a [m]	XXX

NOTE:

For lengths < 1.0m:
 - relative positioning of the connectors to each other shall be as presented in the drawing, however with an admissible angular deviation around cable axis of ± 30°
 For lengths ≥ 1.0m:
 -relative positioning of the connectors to each other not obligatory

Temperature range:

- Fixed installation: -40°C ... +80°C
 - Dynamic installation: -40°C ... +80°C

RJ45 Ethernet Stranded Cable, 4x2xAWG 26/7, PUR, Cat. 6A, grey	09484747743XXX
Type of cable	Part no.

All Dimensions in mm		Tech. Character.		Free size tol.		According to production drawing	
All rights reserved		Created by COSTEA	Inspected by 402676 Gross	Standardisation MUNTEANV Muntean	Date 2020-11-02	State Final Release	
Department HCS - RO		Title RJ45 DB Cat6a Cable Assembly PUR grey				Doc-Key / ECM-Nr. 100802328/UGD/024/C 500000182295	
HARTING Customised Solutions D-32339 Espelkamp		Type TB	Number 09484747743XXX			Rev. C	Page 1/1